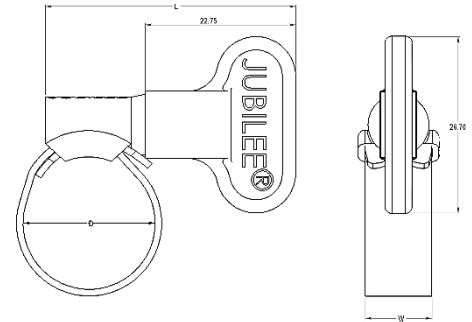


WINGSPADE

Based on Jubilee® Light Range Clips and suitable for hand fitting; Jubilee Wingspade® clips are supplied with a thumb screw, allowing easy torquing using just a thumb and forefinger. Suitable for applications where there is a requirement for frequent tightening/loosening on low torque applications; mainly for the hardware market.

This product range is manufactured to DIN Standard and has a plastic spade for ease of use. Wingspades are suited to fittings that may need to be removed from time to time such as dust extraction units, garden hoses and other domestic applications. The range starts from 9.5mm and extends through to 70mm. Wingspades are available in zinc protected mild steel only.



Part No.	Adjustment mm	Band Width mm	Band Thickness mm	Recommended Torque Nm	Maximum Torque Nm	Maximum Pressure PSI	Part No.
WS012MS	9.5-12	9.9	0.762	3.4	4.5	182	WS012MS
WS016MS	11-16	9.9	0.762	3.4	4.5	182	WS016MS
WS020MS	13-20	9.9	0.762	3.4	4.5	182	WS020MS
WS022MS	12-22	9.9	0.762	3.4	4.5	182	WS022MS
WS027MS	16-27	9.9	0.762	3.4	4.5	182	WS027MS
WS032MS	20-32	9.9	0.762	3.4	4.5	92	WS032MS
WS040MS	25-40	9.9	0.762	4.5	6.0	92	WS040MS
WS045MS	30-45	9.9	0.762	4.5	6.0	92	WS045MS
WS050MS	32-50	9.9	0.762	4.5	6.0	92	WS050MS
WS060MS	40-60	9.9	0.762	4.5	6.0	92	WS060MS
WS070MS	50-70	9.9	0.762	4.5	6.0	92	WS070MS

Quality Assurance:-



Corrosion Resistance: 240 hours NSS Test

Fastening: Wing screw

Industry Recommendations:-



Mild Steel Zinc Protected

The finest hose clip in the world