

HCL Super Torque (WD-ST)

High Strength Worm Drive Hose Clamp 16mm wide



Description

HCL's perforated Worm Drive Super (High) Torque Worm Drive Hose Clamps are ideal for heavy duty sealing applications, particularly where high vibration resistance is required. It is stronger than conventional Worm Drive clamps due to the wider band and the in-line housing, which enables every thread on the worm to engage with the band..



HCL Super Torque (WD-ST)

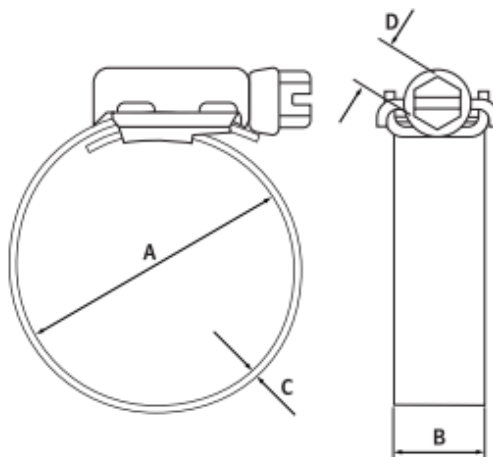
High Strength Worm Drive Hose Clamp 16mm wide



Part Number	Minimum Diameter (A)		Max Diameter (A)		Band Width (B)		Band Thickness (C)		Screw (D)	Torque Setting
	mm	inch	mm	inch	mm	inch	mm	inch	mm A/F	Nm
HCL ST-16-20-W4	20.0		32.0		15.8	0.62	0.7	0.028	8.0	15.0
ST-16-32-W4	32.0	1.260	44.0	1.732						
ST-16-40-W4	40.0	1.575	60.0	2.362						
ST-16-57-W4	57.0	2.244	79.0	3.110						
ST-16-70-W4	70.0	2.756	92.0	3.622						
ST-16-83-W4	83.0	3.268	106.0	4.173						
ST-16-95-W4	95.0	3.740	118.0	4.646						
ST-16-108-W4	108.0	4.252	130.0	5.118						
ST-16-121-W4	121.0	4.764	143.0	5.630						
ST-16-133-W4	133.0	5.236	156.0	6.142						
ST-16-146-W4	156.0	6.142	188.0	7.402						
ST-16-184-W4	146.0	5.748	208.0	8.189						
ST-16-210-W4	184.0	7.244	232.0	9.134						
ST-16-220-W4	220.0	8.661	240.0	9.449						

Product Information

RoHS Compliant:	Yes
Hazardous Goods:	No
HS Tariff Code:	7326 90 92



Material Information

	W4
Band Screw & Housing:	Stainless Steel AISI-304

