

# HCL Worm Gear Clamps (WD-PERF)

Perforated SAE Style Worm Gear Hose Clamps



## Description

HCL's robust perforated Worm Gear Hose Clamps are manufactured in accordance with SAE J1670. They are designed for higher sealing pressure with minimal torque.

These Worm Gear Hose Clips are available in W2 & W4 material



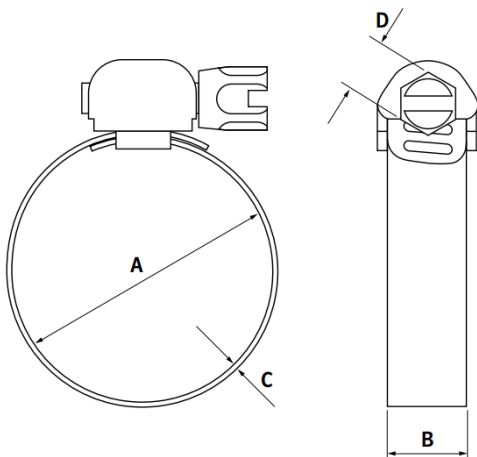
# HCL Worm Gear Clamps (WD-PERF)

Perforated SAE Style Worm Gear Hose Clamps



| Part number      | Minimum Diameter (A <sub>1</sub> ) |     | Maximum Diameter (A <sub>2</sub> ) |     | Band/Tie Width (B) |      | Band Thickness (C) |     | Hex Screw A/F (D) | Max Torque Nm |
|------------------|------------------------------------|-----|------------------------------------|-----|--------------------|------|--------------------|-----|-------------------|---------------|
|                  | HCL*                               | mm  | inch                               | mm  | inch               | mm   | inch               | mm  |                   |               |
| WD-PERF-8-16     |                                    | 6   | 0.24                               | 16  | 0.63               | 8.0  | 0.31               |     | 6.0               | 3.5           |
| WD-PERF-8-20     |                                    | 12  | 0.47                               | 22  | 0.87               |      |                    |     |                   |               |
| WD-PERF-8-24     |                                    | 16  | 0.63                               | 24  | 0.95               |      |                    |     |                   |               |
| WD-PERF-8-27     |                                    | 20  | 0.79                               | 27  | 1.06               |      |                    |     |                   |               |
| WD-PERF-8-32     |                                    | 25  | 0.99                               | 32  | 1.26               |      |                    |     |                   |               |
| WD-PERF-13-20    |                                    | 11  | 0.43                               | 20  | 0.79               | 12.7 | 0.50               | 0.6 | .024              | 8.0           |
| WD-PERF-13-24    |                                    | 12  | 0.47                               | 24  | 0.95               |      |                    |     |                   |               |
| WD-PERF-13-27    |                                    | 14  | 0.55                               | 27  | 1.06               |      |                    |     |                   |               |
| WD-PERF-13-32    |                                    | 17  | 0.67                               | 32  | 1.26               |      |                    |     |                   |               |
| WD-PERF-13-39    |                                    | 20  | 0.79                               | 39  | 1.54               |      |                    |     |                   |               |
| WD-PERF-13-45    |                                    | 20  | 0.79                               | 45  | 1.77               |      |                    |     |                   |               |
| WD-PERF-13-51    |                                    | 26  | 1.02                               | 51  | 2.01               |      |                    |     |                   |               |
| WD-PERF-13-58    |                                    | 33  | 1.30                               | 58  | 2.29               |      |                    |     |                   |               |
| WD-PERF-13-64    |                                    | 39  | 1.54                               | 64  | 2.52               |      |                    |     |                   |               |
| WD-PERF-13-70    |                                    | 45  | 1.77                               | 70  | 2.76               |      |                    |     |                   |               |
| WD-PERF-13-77    |                                    | 52  | 2.05                               | 77  | 3.03               |      |                    |     |                   |               |
| WD-PERF-13-83    |                                    | 58  | 2.29                               | 83  | 3.27               |      |                    |     |                   |               |
| WD-PERF-13-89    |                                    | 65  | 2.56                               | 89  | 3.51               |      |                    |     |                   |               |
| WD-PERF-13-96    |                                    | 71  | 2.80                               | 96  | 3.78               |      |                    |     |                   |               |
| WD-PERF-13-102   |                                    | 77  | 3.03                               | 102 | 4.02               |      |                    |     |                   |               |
| WD-PERF-13-108   |                                    | 84  | 3.31                               | 108 | 4.26               |      |                    |     |                   |               |
| WD-PERF-13-115   |                                    | 90  | 3.55                               | 115 | 4.53               |      |                    |     |                   |               |
| WD-PERF-13-127.. |                                    | 103 | 4.06                               | 127 | 5.00               |      |                    |     |                   |               |
| WD-PERF-13-140   |                                    | 117 | 4.61                               | 140 | 5.52               |      |                    |     |                   |               |
| WD-PERF-13-153   |                                    | 130 | 5.12                               | 153 | 6.03               |      |                    |     |                   |               |
| WD-PERF-13-166   |                                    | 141 | 5.56                               | 166 | 6.54               |      |                    |     |                   |               |
| WD-PERF-13-178   |                                    | 156 | 6.15                               | 178 | 7.01               |      |                    |     |                   |               |

\* To identify W2 or W4 parts add either W4 or W5 to the end of the HCL part numbers



## Product Information

|                  |            |
|------------------|------------|
| RoHS Compliant:  | Yes        |
| Hazardous Goods: | No         |
| HS Tariff Code:  | 7326 90 92 |

## Material Information

|                 | W2                  | W4                  |
|-----------------|---------------------|---------------------|
| Band & Housing: | 430 Stainless Steel | 304 Stainless Steel |
| Screw:          | Zinc Plated Steel   |                     |

