

JCS Hi-Torque (WD-HT-JCS)

High Strength Worm Drive Hose Clamp 16mm wide



Description

Available in both 304 and 316 stainless steel, Hi-Torque hose clamps are specifically designed for use with tough, wire reinforced hoses that require higher sealing pressures, and for when an extra margin of safety and reliability is required.

Hi-Torque heavy duty stainless steel worm drive hose clamps provide unrivalled hose sealing ability, quality and strength and regularly outperform their more “elaborately” designed rivals. Meaning Hi-Torque can be used in every application where an adjustable hose clamp is required.

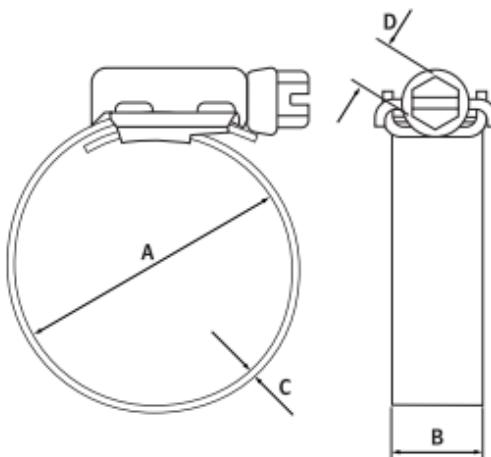
Hi-Torque hose clamps are quicker to fit, have no loose parts to lose in awkward places and take up less space and have a larger adjustment range than any other heavy duty clamp.

JCS Hi-Torque (WD-HT-JCS)

High Strength Worm Drive Hose Clamp 16mm wide



Part Number	Minimum Diameter (A)		Max Diameter (A)		Band Width (B)		Band Thickness (C)		Screw (D)	Torque Setting	Part Number	
	HCL	mm	inch	mm	inch	mm	inch	mm				inch
WD-HT-JCS-035-304SS		20.0	0.79	35.0	1.39	16.0	0.63	0.8	0.031	8.0	15.0	HTM35P
WD-HT-JCS-045-304SS		25.0	0.95	45.0	1.77							HTM45P
WD-HT-JCS-050-304SS		30.0	1.18	50.0	1.97							HTM50P
WD-HT-JCS-060-304SS		40.0	1.58	60.0	2.36							HTM60P
WD-HT-JCS-065-304SS		45.0	1.77	65.0	2.56							HTM65P
WD-HT-JCS-070-304SS		50.0	1.97	70.0	2.76							HTM70P
WD-HT-JCS-080-304SS		60.0	2.36	80.0	3.15							HTM80P
WD-HT-JCS-090-304SS		70.0	2.76	90.0	3.54							HTM90P
WD-HT-JCS-100-304SS		80.0	3.15	100.0	3.94							HTM100P
WD-HT-JCS-120-304SS		90.0	3.54	120.0	4.72							HTM120P
WD-HT-JCS-140-304SS		110.0	4.33	140.0	5.51							HTM140P
WD-HT-JCS-160-304SS		130.0	5.19	160.0	6.30							HTM160P
WD-HT-JCS-180-304SS		150.0	5.91	180.0	7.09							HTM180P
WD-HT-JCS-200-304SS		170.0	6.69	200.0	7.87							HTM200P
WD-HT-JCS-220-304SS		190.0	7.48	220.0	8.66							HTM220P
WD-HT-JCS-240-304SS		210.0	8.27	240.0	9.45							HTM240P



Product Information

Made by:	JCS Hi-Torque
Manufactured according to:	BS5315
RoHS Compliant:	Yes
Hazardous Goods:	No
HS Tariff Code:	7326 90 92

Material Information

	W4	W5
Band Screw & Housing:	BS304-EN 1.4301	BS316-EN 1.4401
Corrosion Resistance	240 Hours NSS test	2000 Hours NSS Test

