

Mikalor SEC

Single Ear Hose Clamps



Description

The Single Ear Hose Clamp also known as "O Clip" or "Pinch Clamp" is manufactured from Zinc Plated or 304 Stainless Steel and is an economical solution for many simple hose assemblies.

The single ear hose clamp can be used with air or other fluids. These hose clamps are ideal for demanding applications involving soft or hard rubbers and plastics. The design also ensures a uniform compression around the whole circumference of the hose clamp

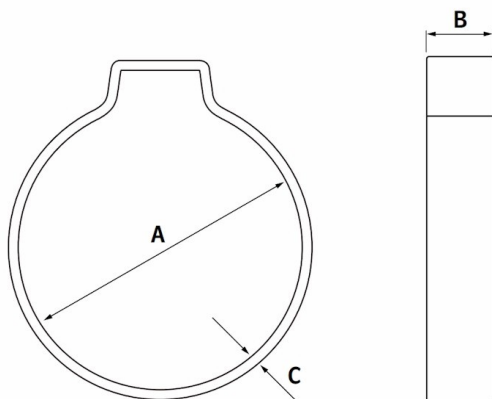
Mikalor SEC

Single Ear Hose Clamps



Part Number*	Minimum Diameter (A)		Max Diameter (A)		Band Width (B)		Band Thickness (C)		Mikalor Part Number		
	HCL	mm	inch	mm	inch	mm	inch	mm	inch	W1	W4
SEC-7		7.0	0.276	9.0	0.354	6.0	0.236	0.80	0.031	03012080	23012440
SEC-8		8.0	0.315	10.0	0.394					03012072	23012087
SEC-9		9.0	0.354	11.0	0.433	6.5	0.256			03012013	23012010
SEC-10		10.0	0.394	12.0	0.472					03012021	23012028
SEC-11		11.0	0.433	13.0	0.512	7.0	0.276	1.00	0.039	03012030	23012036
SEC-12		12.0	0.472	14.0	0.551					03012048	23012044
SEC-13		13.0	0.512	15.0	0.591					X	23012079
SEC-14		14.0	0.551	16.0	0.630					03012056	23012052
SEC-15		15.0	0.591	17.0	0.669					03012064	23012458
SEC-16		16.0	0.630	18.0	0.709					7.5	0.295
SEC-17		17.0	0.669	19.0	0.748	23012423					
SEC-18		18.0	0.709	20.0	0.787	23012431					

* To identify different materials add either -W1, -W4 to the end of the HCL part numbers



Product Information

Made by:	Mikalor Spain
Manufactured according to:	DIN 2393
RoHS Compliant:	Yes
Hazardous Goods:	No
HS Tariff Code:	7326 90 92

Material Information

	W1	W4
Clamp:	Zinc Plated Steel	304 Stainless Steel
Corrosion(ASTM B-117):	72 Hours	400 Hours

