

Mikalor SEC-IR

Single Ear Hose Clamps with Inner Ring

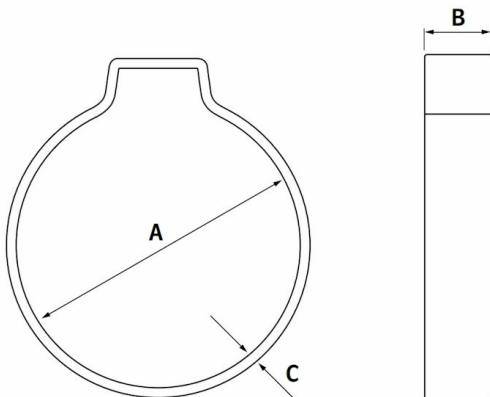


Description

The use of Mikalor Single Ear Hose Clips (also known as O or Pinch Clamps) is an economical solution for many simple hose assemblies, as they can be used with air or other fluids.

The inner-ring means that the clamp fits snugly around the hose and minimises the leak path, while the bevelled edges protect the hose from being pinched during fitting. The use of one ear clips with inner-ring is recommended when working with delicate hoses.

Part Number* HCL	Minimum Diameter (A)		Max Diameter (A)		Band Width (B)		Band Thickness (C)		Part Number Mikalor
	mm	inch	mm	inch	mm	inch	mm	inch	
SEC-IR-7.5-W1	7.5	0.295	8.5	0.335	6.0	0.236	0.80	0.031	3011009
SEC-IR-8.0-W1	8.0	0.315	9.5	0.374			0.80	0.031	3011010
SEC-IR-9.0-W1	9.0	0.354	10.5	0.413			0.80	0.031	3011029
SEC-IR-10.0-W1	10.0	0.394	11.5	0.453			0.80	0.031	3011037
SEC-IR-10.5-W1	10.5	0.413	12.5	0.492			0.80	0.031	3011045
SEC-IR-11.5-W1	11.5	0.453	13.5	0.531			1.00	0.039	3011053
SEC-IR-13.0-W1	13.0	0.512	15.3	0.602			1.00	0.039	3011061
SEC-IR-15.0-W1	15.0	0.591	17.3	0.681			1.00	0.039	3011070
SEC-IR-7.5-W4	7.5	0.295	8.5	0.335			0.80	0.031	23012300
SEC-IR-8.2-W4	8.2	0.323	9.5	0.374			0.80	0.031	23012319
SEC-IR-9.0-W4	9.0	0.354	10.5	0.413			0.80	0.031	23012327
SEC-IR-10.0-W4	10.0	0.394	11.5	0.453			0.80	0.031	23012335
SEC-IR-10.5-W4	10.5	0.413	12.5	0.492			0.80	0.031	23012343
SEC-IR-11.5-W4	11.5	0.453	13.5	0.531			1.00	0.039	23012351
SEC-IR-12.5-W4	12.5	0.492	14.5	0.571			1.00	0.039	23012360
SEC-IR-13.0-W4	13.0	0.512	15.3	0.602			1.00	0.039	23012378
SEC-IR-14.0-W4	14.0	0.551	16.3	0.642			1.00	0.039	23012386
SEC-IR-15.0-W4	15.0	0.591	17.3	0.681			1.00	0.039	23012394
SEC-IR-16.0-W4	16.0	0.630	18.3	0.720			1.00	0.039	23012407
SEC-IR-17.0-W4	17.0	0.669	19.3	0.760			1.00	0.039	23012415



Product Information

Made by:	Mikalor Spain
Manufactured according to:	DIN 2393
RoHS Compliant:	Yes
Hazardous Goods:	No
HS Tariff Code:	7326 90 92

Material Information

	W1	W4
Clamp:	Zinc Plated Steel	304 Stainless Steel
Inner Ring:	304 Stainless Steel	304 Stainless Steel
Corrosion(ASTM B-117):	72 Hours	400 Hours