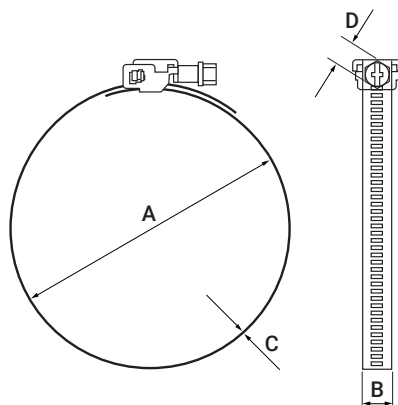


Our Quick Release Worm Drive hose clamps offer a Tilting Worm Drive Housing. These quick release hose clamps are ideal for rapid application and removal, especially for large diameter pipes and hoses. Often used in the HVAC industry to attach flexible ducting.



Part Number HCL	Min Dia (A)		Max Dia (A)		Band Width (B)		Band Thickness (C)		Max Torque Nm	Screw (D) mm A/F								
	mm	inch	mm	inch	mm	inch	mm	inch										
QR-50-W2	25.0	0.98	50.0	1.97	9.0	0.35			4.0									
QR-75-W2			75.0	2.95														
QR-100-W2			100.0	3.94														
QR-125-W2			125.0	4.92														
QR-150-W2			150.0	5.91														
QR-175-W2			175.0	6.89														
QR-200-W2			200.0	7.87														
QR-300-W2			300.0	11.81														
QR-400-W2			400.0	15.75														
QR-500-W2			500.0	19.69														
QR-750-W2			750.0	29.53														
QR-50-W4	50.0	1.97	50.0	1.97	12.0	0.47	0.6	0.024	7.0									
QR-75-W4			75.0	2.95														
QR-100-W4			100.0	3.94														
QR-200-W4			200.0	7.87														
QR-300-W4			300.0	11.81														
QR-400-W4			400.0	15.75														
QR-500-W4			500.0	19.69														
QR-750-W4			750.0	29.53														
QR-12-100-W2			50.0	1.97							100.0	3.94	12.0	0.47			7.0	
QR-12-145-W2											145.0	5.71						
QR-12-175-W2											175.0	6.89						
QR-12-215-W2	215.0	8.46																
QR-12-288-W2	288.0	11.34																
QR-12-325-W2	325.0	12.80																
QR-12-370-W2	370.0	14.57																
QR-12-420-W2	420.0	16.54																
QR-12-525-W2	525.0	20.67																
QR-12-750-W2	750.0	29.53																



PRODUCT INFORMATION

Manufactured by:	Clamp Tridon
RoHS Compliant:	Yes
Hazardous Goods:	No
HS Tariff Code:	7326 90 92

MATERIAL INFORMATION

	W2	W4
Band & Housing:	430 Stainless Steel	304 Stainless Steel
Screw:	Zinc Plated Steel	

