

ASFA High-Torque (16 mm) Hose Clamp AISI 430 Stainless Steel - W3



W3

Mikalor High-Torque Clamps were designed to guarantee maximum performance in the most demanding applications. Thanks to the use of an M8 screw and the choice of 16mm bandwidth, torque values can be applied which are far higher than those used with the standard ASFA range, thereby ensuring perfect performance in high-pressure applications.

The High-Torque clamp is particularly popular in industrial and automotive applications due to its outstanding performance. The perfectly rounded bevelled band edges avoid the clamp cutting into or damaging the hose.

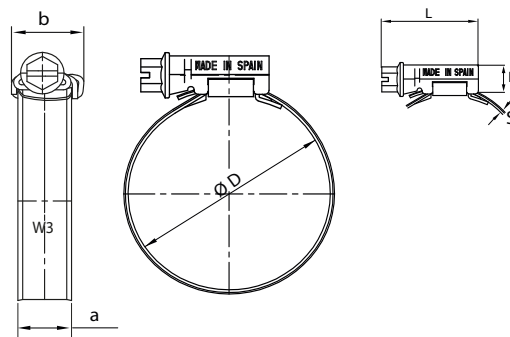
** The maximum application pressure can vary depending on the type of hose used and the geometry of the coupling.*

| Application Ø | | | | | | | | | | | |
|---------------|-----------|------------|--------|---------|--------|--------|--------|----------------|-----------------|--------------------|--|
| mm | a | Part nº W3 | L max. | S +0,10 | h max. | a +0,2 | b max. | Maximum values | | Box Quantity (MOQ) | |
| | | | | | | | | Torque (Nm) | Pressure (Bars) | | |
| 25-45 | HT (16mm) | 0306600-1 | 39,5 | 0,95 | 13 | 16,0 | 21,0 | 12 | 55 | 50 | |
| 32-54 | HT (16mm) | 0306600-2 | 39,5 | 0,95 | 13 | 16,0 | 21,0 | 12 | 50 | 50 | |
| 45-67 | HT (16mm) | 0306600-3 | 39,5 | 0,95 | 13 | 16,0 | 21,0 | 12 | 45 | 50 | |
| 57-79 | HT (16mm) | 0306600-4 | 39,5 | 0,95 | 13 | 16,0 | 21,0 | 12 | 40 | 50 | |
| 70-92 | HT (16mm) | 0306600-5 | 39,5 | 0,95 | 13 | 16,0 | 21,0 | 12 | 30 | 50 | |
| 83-105 | HT (16mm) | 0306600-6 | 39,5 | 0,95 | 13 | 16,0 | 21,0 | 12 | 20 | 25 | |
| 95-118 | HT (16mm) | 0306600-7 | 39,5 | 0,95 | 13 | 16,0 | 21,0 | 12 | 17 | 25 | |
| 108-130 | HT (16mm) | 0306600-8 | 39,5 | 0,95 | 13 | 16,0 | 21,0 | 12 | 14 | 25 | |
| 121-143 | HT (16mm) | 0306600-9 | 39,5 | 0,95 | 13 | 16,0 | 21,0 | 12 | 11 | 25 | |
| 133-156 | HT (16mm) | 0306601-0 | 39,5 | 0,95 | 13 | 16,0 | 21,0 | 12 | 8 | 25 | |
| 146-168 | HT (16mm) | 0306601-1 | 39,5 | 0,95 | 13 | 16,0 | 21,0 | 12 | 6 | 25 | |
| 159-181 | HT (16mm) | 0306601-2 | 39,5 | 0,95 | 13 | 16,0 | 21,0 | 12 | 5 | 25 | |
| 172-194 | HT (16mm) | 0306601-3 | 39,5 | 0,95 | 13 | 16,0 | 21,0 | 12 | 4 | 25 | |
| 184-206 | HT (16mm) | 0306601-4 | 39,5 | 0,95 | 13 | 16,0 | 21,0 | 12 | 3 | 25 | |

** It is recommended to apply 75% of the maximum values contained in the table.*

** Product available from September 2020.*

| TECHNICAL INFORMATION | |
|--------------------------------|---|
| MATERIAL | BAND AND HOUSING: STAINLESS STEEL X6Cr17 (AISI-430) SCREW: STAINLESS STEEL (AISI-304 CU) |
| FINISH | STAINLESS STEEL |
| CORROSION RESISTANCE | 200 HOURS SALT SPRAY (ASTM B-117) |
| MAXIMUM TIGHTENING SPEED (RPM) | 540 ±5 |



ASFA High-Torque (16 mm) Hose Clamp AISI 304 Stainless Steel - W4

W4



Mikalor High-Torque Clamps were designed to guarantee maximum performance in the most demanding applications. Thanks to the use of an M8 screw and the choice of 16mm bandwidth, torque values can be applied which are far higher than those used with the standard ASFA range, thereby ensuring perfect performance in high-pressure applications.

The High-Torque clamp is particularly popular in industrial and automotive applications due to its outstanding performance. This clamp is manufactured entirely from AISI 304 Stainless Steel and is especially indicated for use in corrosive environments and in the foodstuffs industry.

** The maximum application pressure can vary depending on the type of hose used and the geometry of the coupling.*

| Application Ø | | | | | | | | | | |
|---------------|-----------|------------|--------|---------|--------|--------|--------|----------------|-----------------|--------------------|
| mm | a | Part nº W4 | L max. | S +0,10 | h max. | a +0,2 | b max. | Maximum values | | Box Quantity (MOQ) |
| | | | | | | | | Torque (Nm) | Pressure (Bars) | |
| 25-45 | HT (16mm) | 0306700-1 | 39,5 | 0,95 | 13 | 16,0 | 21,0 | 12 | 55 | 50 |
| 32-54 | HT (16mm) | 0306700-2 | 39,5 | 0,95 | 13 | 16,0 | 21,0 | 12 | 50 | 50 |
| 45-67 | HT (16mm) | 0306700-3 | 39,5 | 0,95 | 13 | 16,0 | 21,0 | 12 | 45 | 50 |
| 57-79 | HT (16mm) | 0306700-4 | 39,5 | 0,95 | 13 | 16,0 | 21,0 | 12 | 40 | 50 |
| 70-92 | HT (16mm) | 0306700-5 | 39,5 | 0,95 | 13 | 16,0 | 21,0 | 12 | 30 | 50 |
| 83-105 | HT (16mm) | 0306700-6 | 39,5 | 0,95 | 13 | 16,0 | 21,0 | 12 | 20 | 25 |
| 95-118 | HT (16mm) | 0306700-7 | 39,5 | 0,95 | 13 | 16,0 | 21,0 | 12 | 17 | 25 |
| 108-130 | HT (16mm) | 0306700-8 | 39,5 | 0,95 | 13 | 16,0 | 21,0 | 12 | 14 | 25 |
| 121-143 | HT (16mm) | 0306700-9 | 39,5 | 0,95 | 13 | 16,0 | 21,0 | 12 | 11 | 25 |
| 133-156 | HT (16mm) | 0306701-0 | 39,5 | 0,95 | 13 | 16,0 | 21,0 | 12 | 8 | 25 |
| 146-168 | HT (16mm) | 0306701-1 | 39,5 | 0,95 | 13 | 16,0 | 21,0 | 12 | 6 | 25 |
| 159-181 | HT (16mm) | 0306701-2 | 39,5 | 0,95 | 13 | 16,0 | 21,0 | 12 | 5 | 25 |
| 172-194 | HT (16mm) | 0306701-3 | 39,5 | 0,95 | 13 | 16,0 | 21,0 | 12 | 4 | 25 |
| 184-206 | HT (16mm) | 0306701-4 | 39,5 | 0,95 | 13 | 16,0 | 21,0 | 12 | 3 | 25 |

** It is recommended to apply 75% of the maximum values contained in the table.*

** Product available from September 2020.*

| TECHNICAL INFORMATION | |
|--------------------------------|---|
| MATERIAL | BAND AND HOUSING: STAINLESS STEEL X5Cr Ni 18/10 (AISI-304) SCREW: STAINLESS STEEL (AISI-304) |
| FINISH | STAINLESS STEEL |
| CORROSION RESISTANCE | 400 HOURS SALT SPRAY (ASTM B-117) |
| MAXIMUM TIGHTENING SPEED (RPM) | 540 ±5 |

