



Rotor CTL Hose Clamp (CTL)

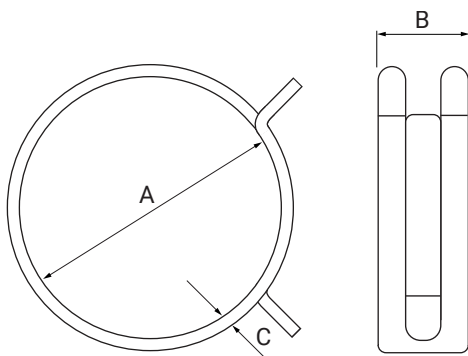
Spring Band Light (Constant Tension) Hose Clamps

Rotor Spring Band Clamps Light are self-tensioning sealing components, which ensure a leak-free sealing of hose/spigot joints. Utilizing austempered, high-tensile chrome-vanadium spring steel, the final product indicates great flexibility and strength, ensuring a reliable, leak-proof connection of a hose to a fitting.

Once the Rotor Hose clamp is installed on the hose joint, there will not be any need to re-torque or re-adjust the clamp over time (compared to a typical screw type clamp).



Part Number HCL	Min Dia (A)		Max Dia (A)		Band Width (B)		Band Thickness (C)		Rotor Part Number		
	mm	inch	mm	inch	mm	inch	mm	inch			
CTL-6.1-W1	6.1	0.24	7.6	0.30	6.3	0.25	0.51	0.020	CTL-4.55T PA		
CTL-7.7-W1	7.7	0.30	8.8	0.35	7.9	0.31	0.76	0.030	CTL-55T PAN		
CTL-8.5-W1	8.5	0.34	10.4	0.41			0.51	0.020	CTL-4.55T PA		
CTL-9.5-W1	9.5	0.37	11.4	0.45			0.64	0.025	CTL-65T PA		
CTL-10.3-W1	10.3	0.41	12.3	0.48			0.76	0.030	CTL-6.55T PA		
CTL-11.7-W1	11.7	0.46	13.8	0.54					CTL-85T PA		
CTL-12.5-W1	12.5	0.49	14.6	0.58					CTL-8.55T PA		
CTL-13.2-W1	13.2	0.52	15.4	0.61					CTL-95T PA		
CTL-13.7-W1	13.7	0.54	16.5	0.65					CTL-9.55T PA		
CTL-14.8-W1	14.8	0.58	17.0	0.67					CTL-10ST PAN		
CTL-15.8-W1	15.8	0.62	18.4	0.72			CTL-10.55T PA				
CTL-16.4-W1	16.4	0.65	21.0	0.83			9.5	0.37	1.02	0.040	CTL-12ST PA
CTL-19.1-W1	19.1	0.75	22.9	0.90			1.14	0.045	CTL-13ST PA		
CTL-21.8-W1	21.8	0.86	26.2	1.03	1.14	0.045	CTL-15ST PA				



PRODUCT INFORMATION

Made by:	Rotor Clip Inc
Finish:	Phosphate, Mechanical Zinc Plate
RoHS Compliant:	Yes
Hazardous Goods:	No
HSTariff Code:	7326 90 92
Colour:	Black

MATERIAL INFORMATION

	W1
Clamp:	SAE 1060-1090 Spring Steel, Austempered
Corrosion Resistance:	72 hours

