

HCL's Heavy Duty Bolt & Barrel Hose Clamps are manufactured by Atlantic Man for HCL to the highest standard. These Hydraulic Hose Clamps are designed for high performance applications, such as the sealing of suction and pressure hoses.

The band has a smooth underside and bevelled edges, protecting the hose from damage. The bolt is directly engaged in the barrel and can be fastened with an electric or pneumatic tool.

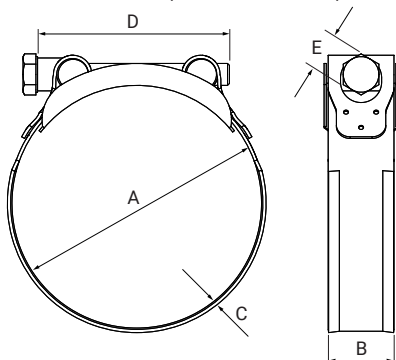
The HCL Bolt & Barrel clamps are available in W2, W4 and W5 material options giving suitability in food, chemical and marine applications.



Part Number* HCL	Min Dia (A)		Max Dia (A)		Band/Tie Width (B)		Band Thickness (C)		Hex screw length (D)	Hex screw A/F (E)	Bolt	Max Torque Nm
	mm	inch	mm	inch	mm	inch	mm	inch	mm	mm		
BBC-23-ATL	23.0	0.91	25.0	0.98	19.0	0.75	0.8	0.031	50.0	10.0	M6	10.4
BBC-26-ATL	26.0	1.02	28.0	1.10								
BBC-29-ATL	29.0	1.14	31.0	1.22								
BBC-32-ATL	32.0	1.26	35.0	1.38								
BBC-36-ATL	36.0	1.42	39.0	1.54								
BBC-40-ATL	40.0	1.57	43.0	1.69								
BBC-44-ATL	44.0	1.73	47.0	1.85								
BBC-48-ATL	48.0	1.89	51.0	2.01								
BBC-52-ATL	52.0	2.05	55.0	2.17								
BBC-56-ATL	56.0	2.20	59.0	2.32								
BBC-60-ATL	60.0	2.36	63.0	2.48								
BBC-64-ATL	64.0	2.52	67.0	2.64								
BBC-68-ATL	68.0	2.68	73.0	2.87								
BBC-74-ATL	74.0	2.91	79.0	3.11								
BBC-80-ATL	80.0	3.15	85.0	3.35								
BBC-86-ATL	86.0	3.39	91.0	3.58								
BBC-92-ATL	92.0	3.62	97.0	3.82								
BBC-98-ATL	98.0	3.86	103.0	4.06								
BBC-104-ATL	104.0	4.09	112.0	4.41								
BBC-113-ATL	113.0	4.45	121.0	4.76								
BBC-122-ATL	122.0	4.80	130.0	5.12								
BBC-131-ATL	131.0	5.16	139.0	5.47								
BBC-140-ATL	140.0	5.51	148.0	5.83								
BBC-149-ATL	149.0	5.87	161.0	6.34								
BBC-162-ATL	162.0	6.38	174.0	6.85								
BBC-175-ATL	175.0	6.89	187.0	7.36								
BBC-188-ATL	188.0	7.40	200.0	7.87								
BBC-201-ATL	201.0	7.91	213.0	8.39								
BBC-214-ATL	214.0	8.43	226.0	8.90								
BBC-227-ATL	227.0	8.94	239.0	9.41								
BBC-240-ATL	240.0	9.45	252.0	9.92								
BBC-104-ATL	104.0	4.09	112.0	4.41	24.0	0.95	1.2	0.047	80.0	13.0	M8	24.6
BBC-113-ATL	113.0	4.45	121.0	4.76								
BBC-122-ATL	122.0	4.80	130.0	5.12								
BBC-131-ATL	131.0	5.16	139.0	5.47								
BBC-140-ATL	140.0	5.51	148.0	5.83								
BBC-149-ATL	149.0	5.87	161.0	6.34								
BBC-162-ATL	162.0	6.38	174.0	6.85								
BBC-175-ATL	175.0	6.89	187.0	7.36								
BBC-188-ATL	188.0	7.40	200.0	7.87								
BBC-201-ATL	201.0	7.91	213.0	8.39								
BBC-214-ATL	214.0	8.43	226.0	8.90								
BBC-227-ATL	227.0	8.94	239.0	9.41								
BBC-240-ATL	240.0	9.45	252.0	9.92								
BBC-149-ATL	149.0	5.87	161.0	6.34								
BBC-162-ATL	162.0	6.38	174.0	6.85								
BBC-175-ATL	175.0	6.89	187.0	7.36								
BBC-188-ATL	188.0	7.40	200.0	7.87								
BBC-201-ATL	201.0	7.91	213.0	8.39								
BBC-214-ATL	214.0	8.43	226.0	8.90								
BBC-227-ATL	227.0	8.94	239.0	9.41								
BBC-240-ATL	240.0	9.45	252.0	9.92								

*To identify different materials supplement the HCL part number with one of the following annexes: -W2, -W4 & -W5

**Note for W4 and W5 clamps the M10 bolt is replaced with an M8 bolt



PRODUCT INFORMATION

RoHS Compliant:	Yes
Hazardous Goods:	No
HS Tariff Code:	7326 90 92

MATERIAL INFORMATION

	W2	W4	W5
Band & Housing:	430 Stainless Steel	304 Stainless Steel	316 Stainless Steel
Bolt:	Zinc Plated Steel		

