

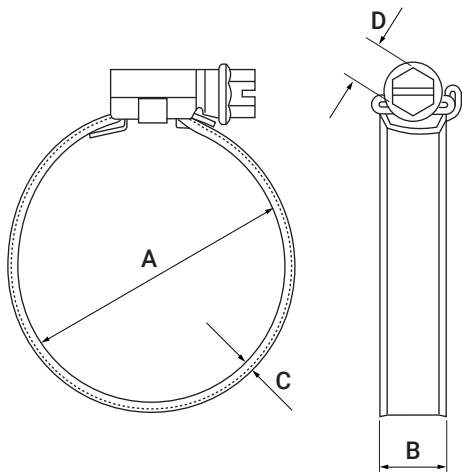
This clamp is manufactured in AISI 430 with an additional matt-black surface treatment which increases its corrosion resistance. Thanks to the surface treatment this clamp can be mounted discreetly in any application, making it a favourite in automotive or motorcycle applications.

The geometry, band, stamping, housing and screw are identical to other ASFA clamps, meaning that the performance is not altered in any way. The Black ASFA LW3 hose clip complies fully with the DIN 3017 norm and also with the directive EU 2002/95/EC.

**The maximum application pressure can vary depending on the type of hose used and the geometry of the coupling, however it is recommended to apply 75% of the maximum values contained in the table.*



Part Number HCL	Min Dia (A)		Max Dia (A)		Band Width (B)		Band Thickness (C)		Screw (D)	Max Torque Nm	Max Pressure Bars	Mikalor Part Number
	mm	inch	mm	inch	mm	inch	mm	inch	mm A/F			
ASFA-L-8-W3-BK	8.0	0.32	16.0	0.63	9.0	0.35	0.65	0.026	7.0	3.0	40.0	7301601-1
ASFA-L-12-W3-BK	12.0	0.47	22.0	0.87								7301602-0
ASFA-L-16-W3-BK	16.0	0.63	27.0	1.06			3.5	38.0		7301603-8		
ASFA-L-20-W3-BK	20.0	0.79	32.0	1.26						7301604-6		
ASFA-L-25-W3-BK	25.0	0.98	40.0	1.58			4.0	32.0		7301606-2		
ASFA-L-30-W3-BK	30.0	1.18	45.0	1.77						7301607-0		
ASFA-L-32-W3-BK	32.0	1.26	50.0	1.97						7301608-9		
ASFA-L-40-W3-BK	40.0	1.58	60.0	2.36						7301609-5		
ASFA-L-50-W3-BK	50.0	1.97	70.0	2.76						7301610-0		
ASFA-L-60-W3-BK	60.0	2.36	80.0	3.15						7301611-8		
ASFA-L-70-W3-BK	70.0	2.76	90.0	3.54						7301612-6		
ASFA-L-80-W3-BK	80.0	3.15	100.0	3.94						7301613-4		
ASFA-L-90-W3-BK	90.0	3.54	110.0	4.33						7301614-2		
ASFA-L-100-W3-BK	100.0	3.94	120.0	4.72						7301615-0		
ASFA-L-110-W3-BK	110.0	4.33	130.0	5.12			7301616-9					
ASFA-L-120-W3-BK	120.0	4.72	140.0	5.51			7301617-7					
ASFA-L-130-W3-BK	130.0	5.12	150.0	5.91			7301618-5					
ASFA-L-140-W3-BK	140.0	5.51	160.0	6.30			7301619-3					



PRODUCT INFORMATION

Made by:	Mikalor Spain
Manufactured according to:	DIN 3017
RoHS Compliant:	Yes
Hazardous Goods:	No
Maximum tightening speed RPM:	540 ±5
Finish/Colour	Delta Seal Black
HS Tariff Code:	7326 90 92

MATERIAL INFORMATION

	W3
Band Screw & Housing:	Stainless Steel X6Cr17 (AISI-430)
Corrosion Resistance:	250 Hours Salt Spray (ASTM B-117)

